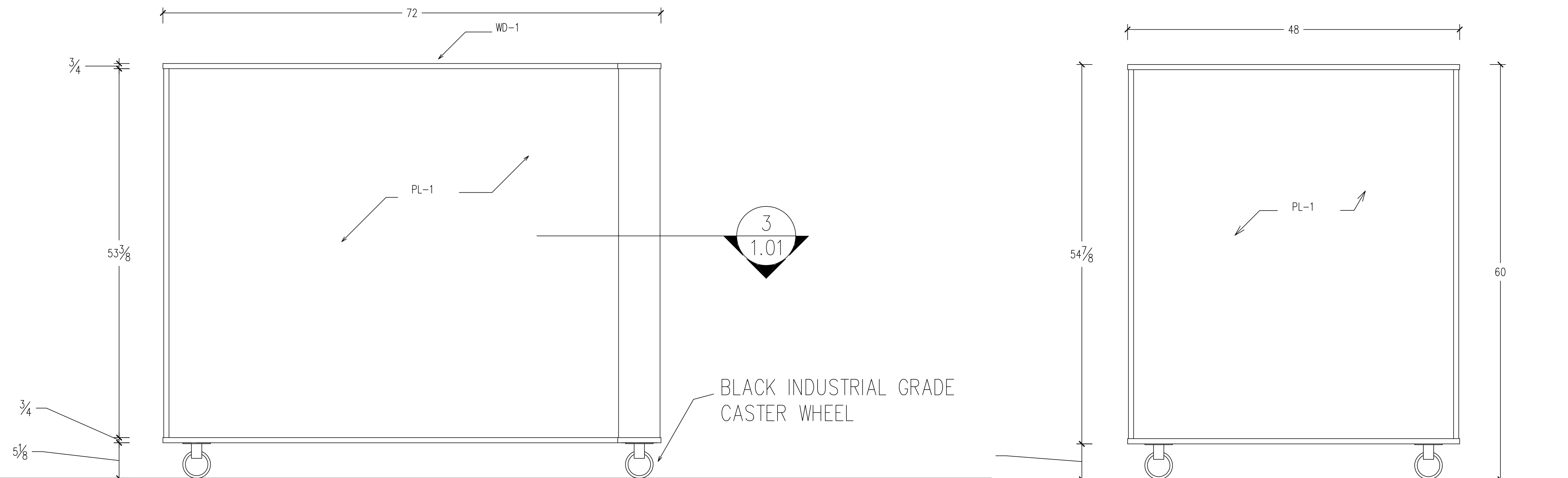




2525 49th Street
 Boulder, CO 80301
 ph 303.440.1991
 fax 303.447.2128
 rlwoodworksanddesign.com

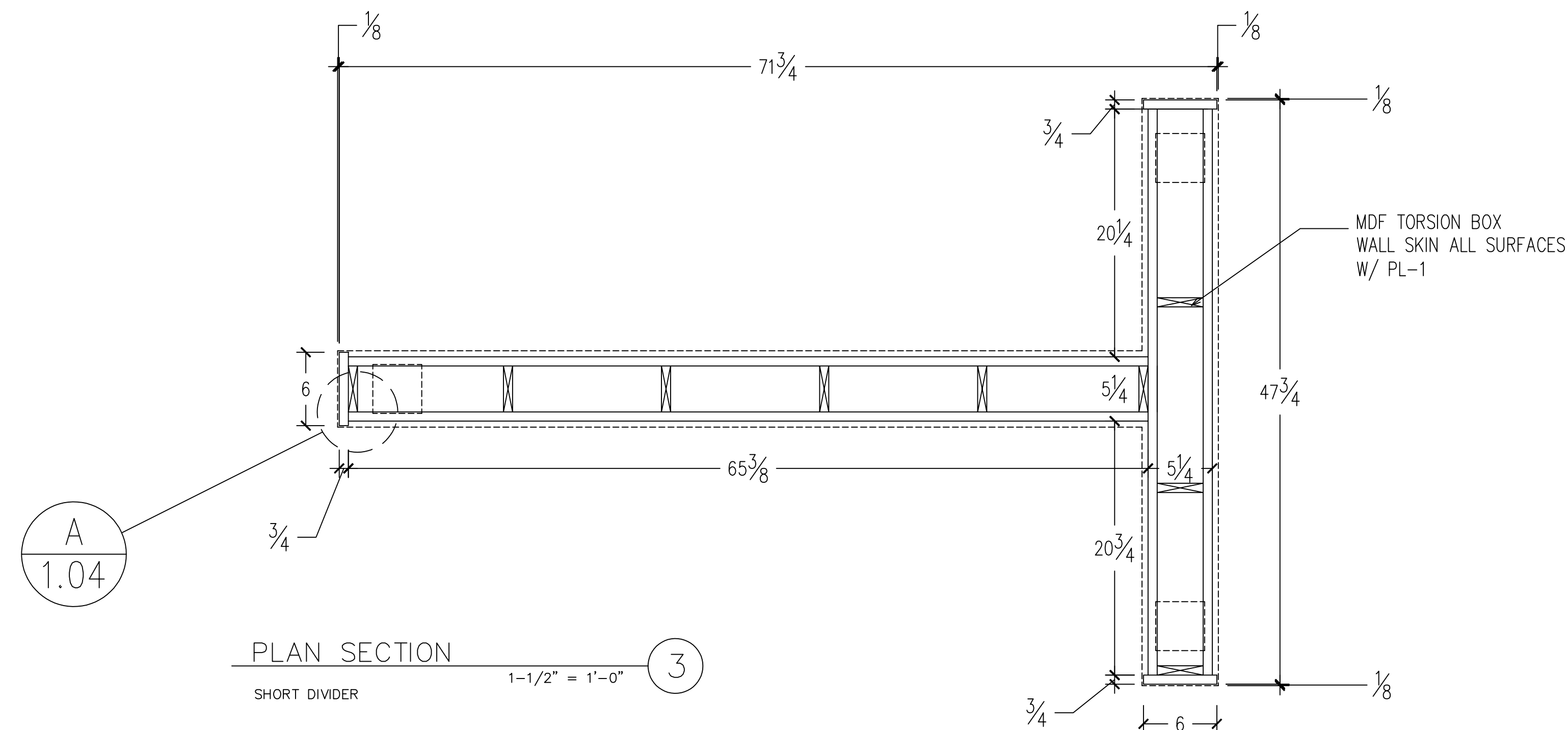
MATERIAL & HARDWARE SCHEDULE

WD-1	MAPLE HWD.	CLEAR LACQUER	
PL-1	DRY ERASE	FORMICA	20459-80



FRONT ELEVATION
 SHORT DIVIDER FRONT 1-1/2" = 1'-0" ①

SIDE ELEVATION
 SHORT DIVIDER END 1-1/2" = 1'-0" ②



PLAN SECTION
 SHORT DIVIDER 1-1/2" = 1'-0" ③

REVISION LOG

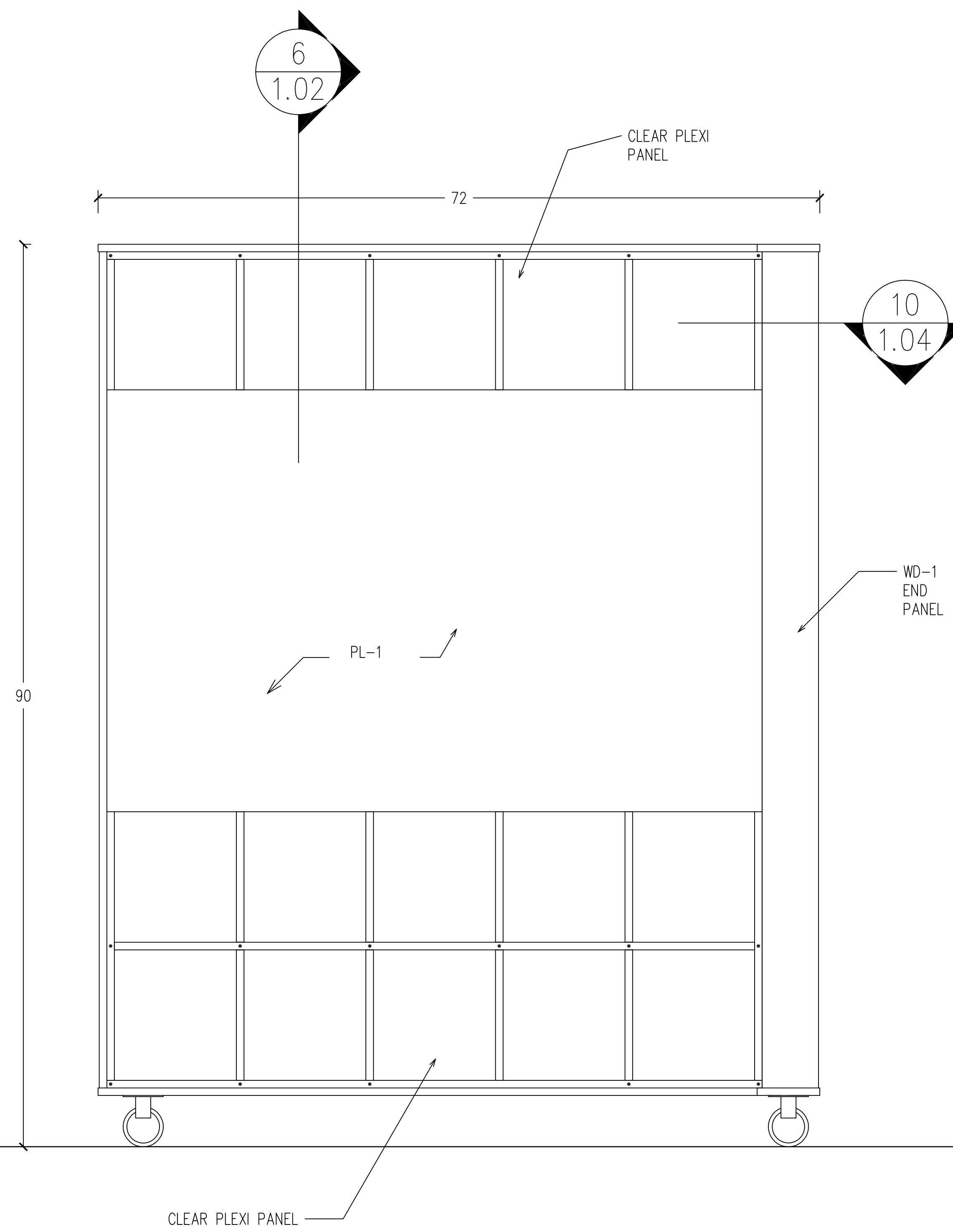
NAME	DATE

RALLY

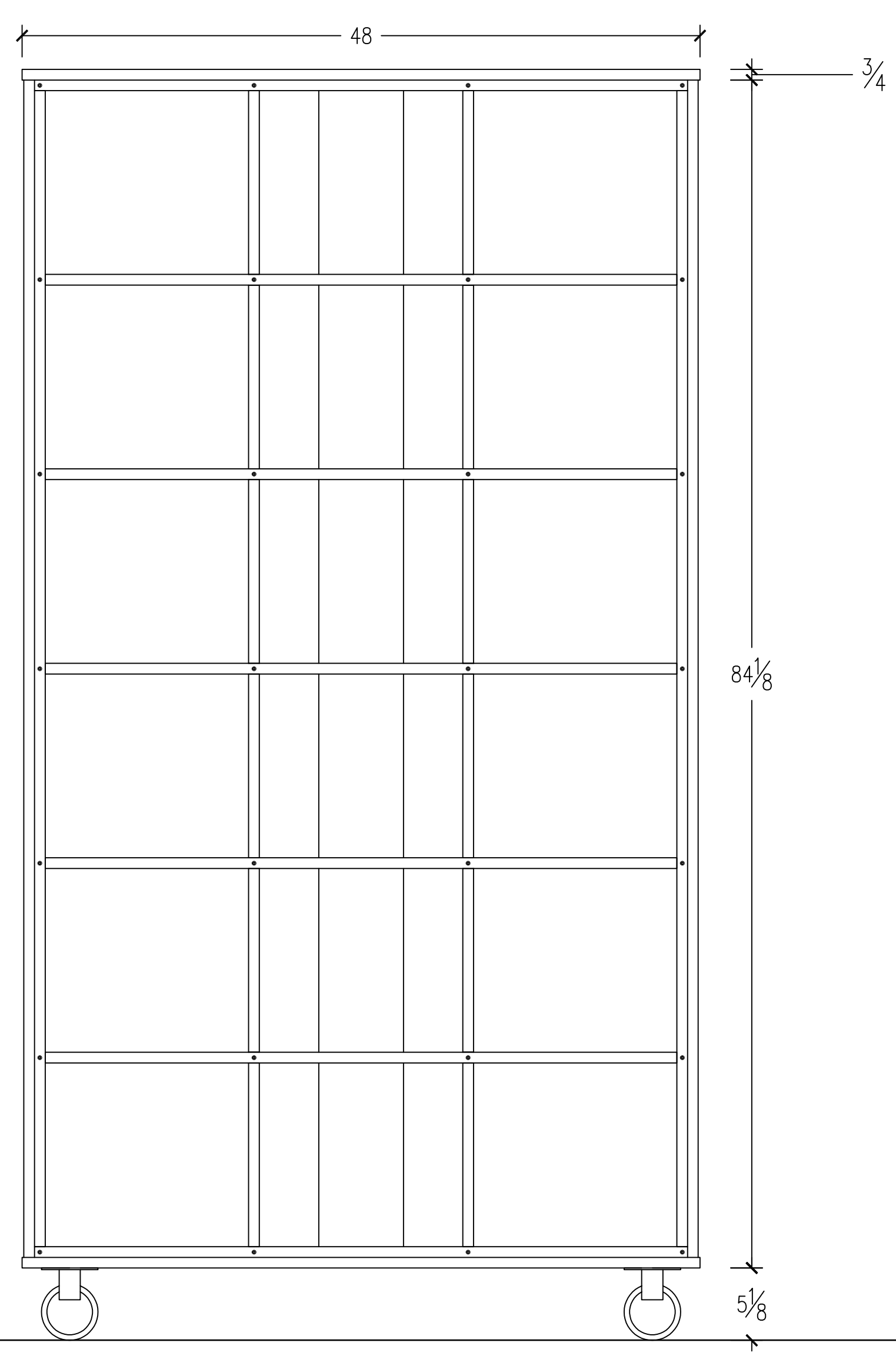
PROJECT	RM. DIVIDER	SHEET	
DATE	9/23		
DRAWN BY	TR		1.01

MATERIAL & HARDWARE SCHEDULE

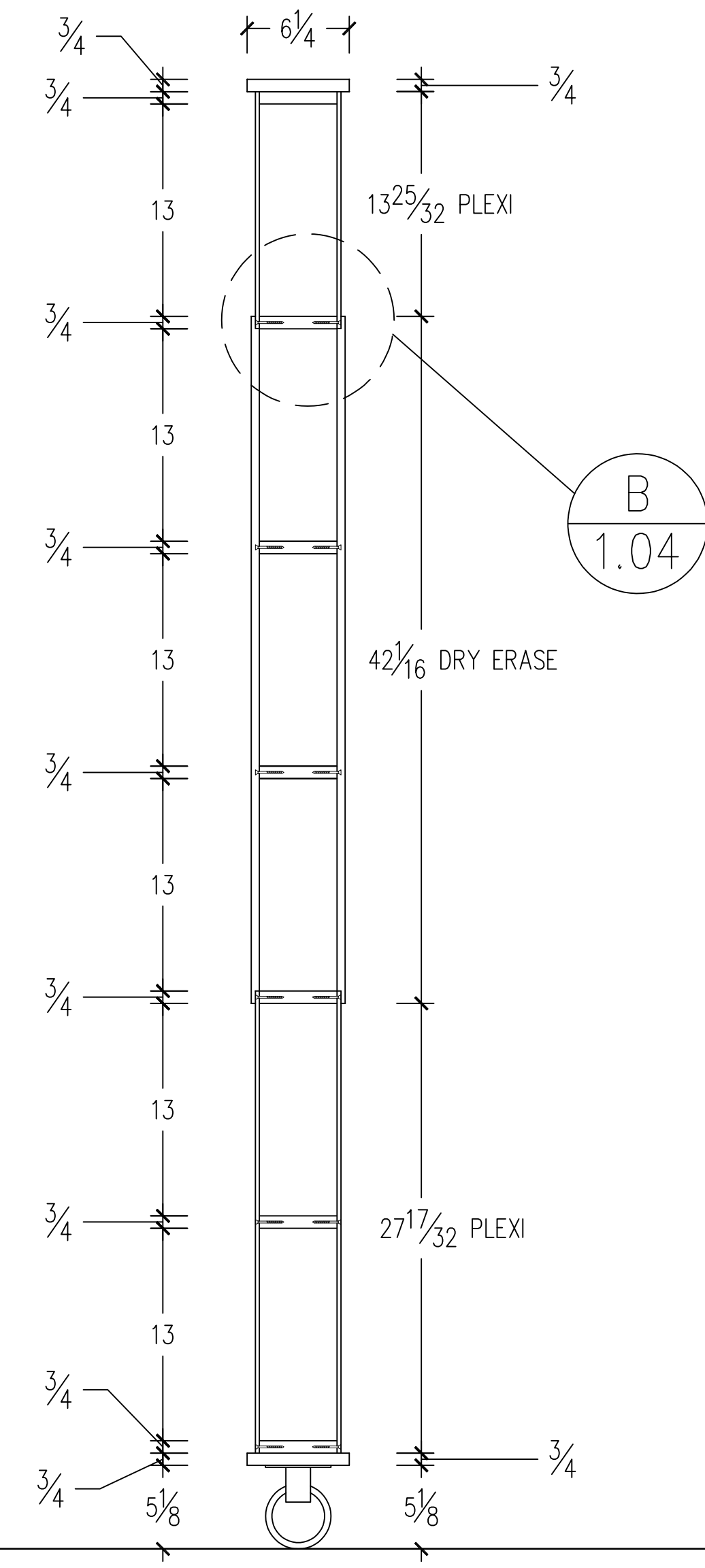
WD-1	MAPLE HWD.	CLEAR LACQUER	
PL-1	DRY ERASE	FORMICA	20459-80



FRONT ELEVATION
 TALL DIVIDER
 PLEXI/ MAGNETIC DRY ERASE
 1 1/2" = 1'-0" (4)



SIDE ELEVATION
 TALL DIVIDER
 PLEXI/ MAGNETIC DRY ERASE
 1 1/2" = 1'-0" (5)



SECTION
 TALL DIVIDER
 PLEXI/ MAGNETIC DRY ERASE
 1 1/2" = 1'-0" (6)

REVISION LOG	
NAME	DATE

RALLY

PROJECT	RM. DIVIDER	SHEET	1.02
DATE	9/23		
DRAWN BY	TR		

MATERIAL & HARDWARE SCHEDULE

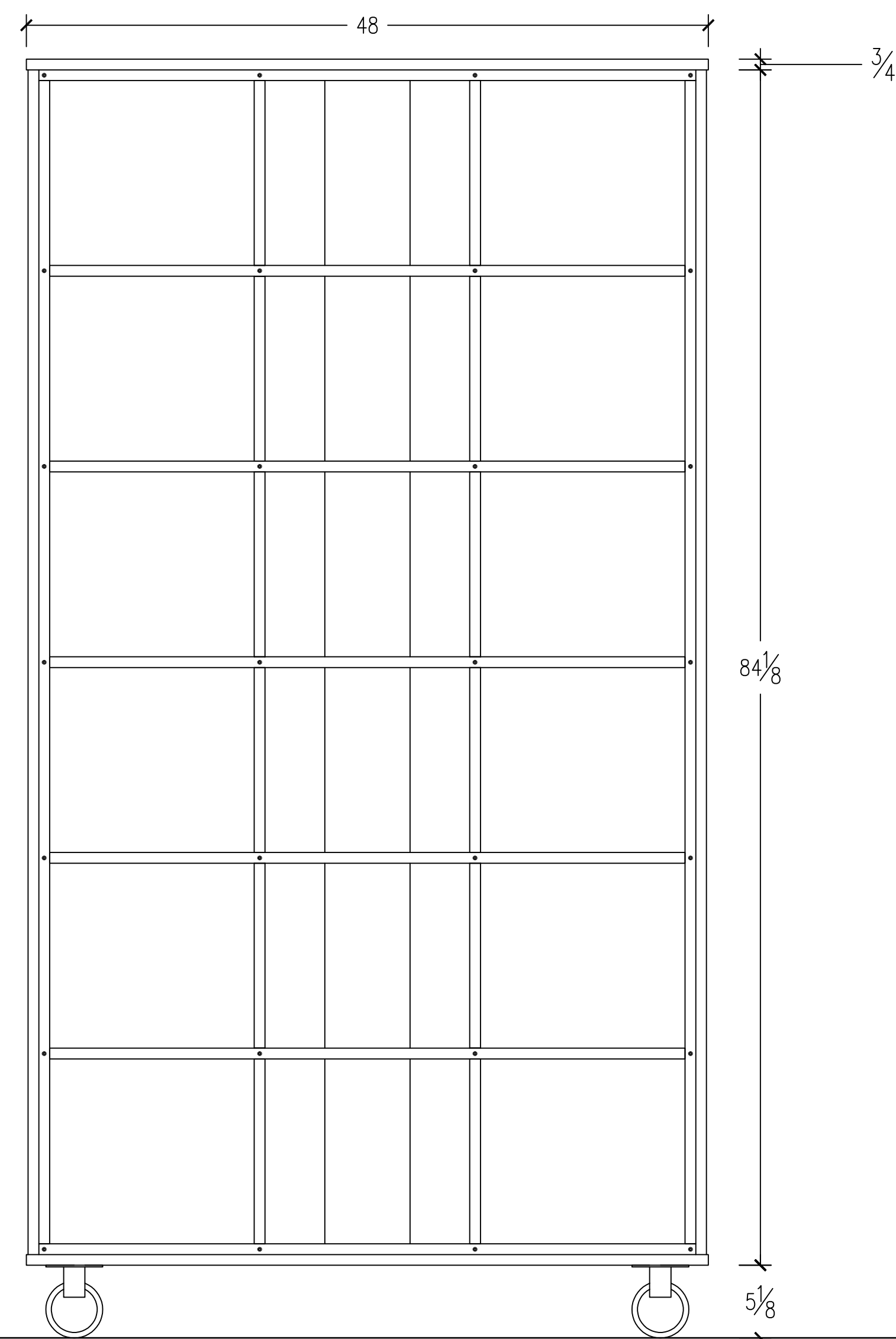
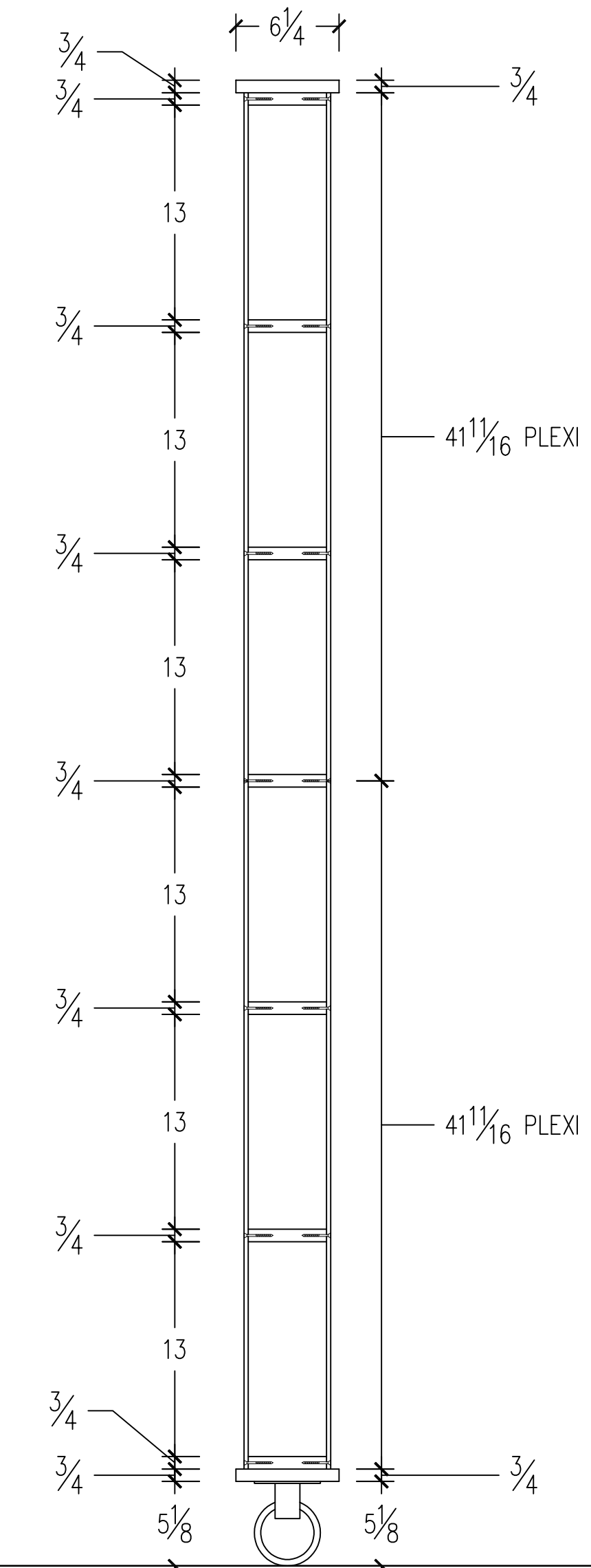
WD-1	MAPLE HWD.	CLEAR LACQUER	
PL-1	DRY ERASE	FORMICA	20459-80

REVISION LOG

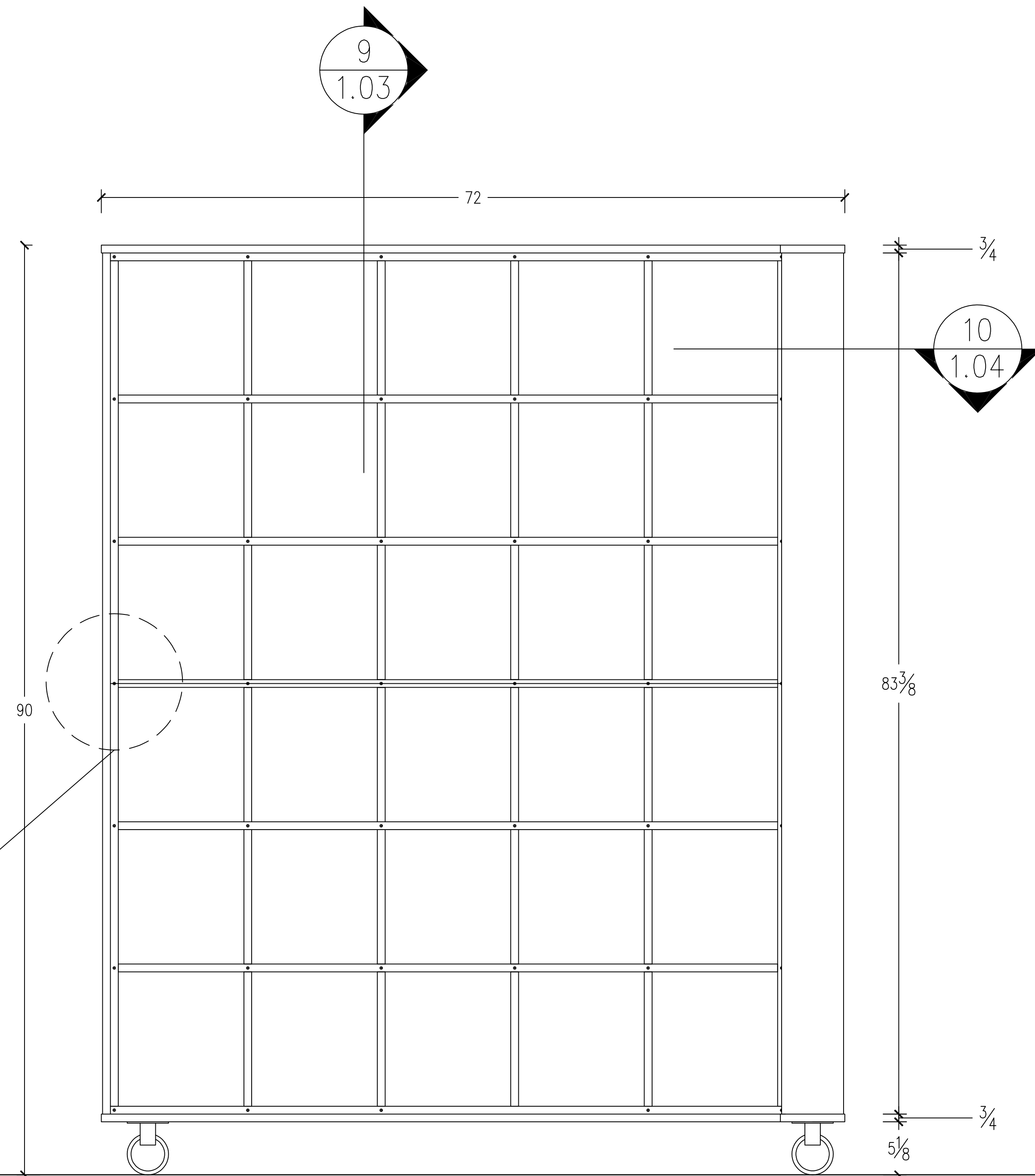
NAME	DATE

RALLY

PROJECT	RM. DIVIDER	SHEET	1.03
DATE	9/23		
DRAWN BY	TR		



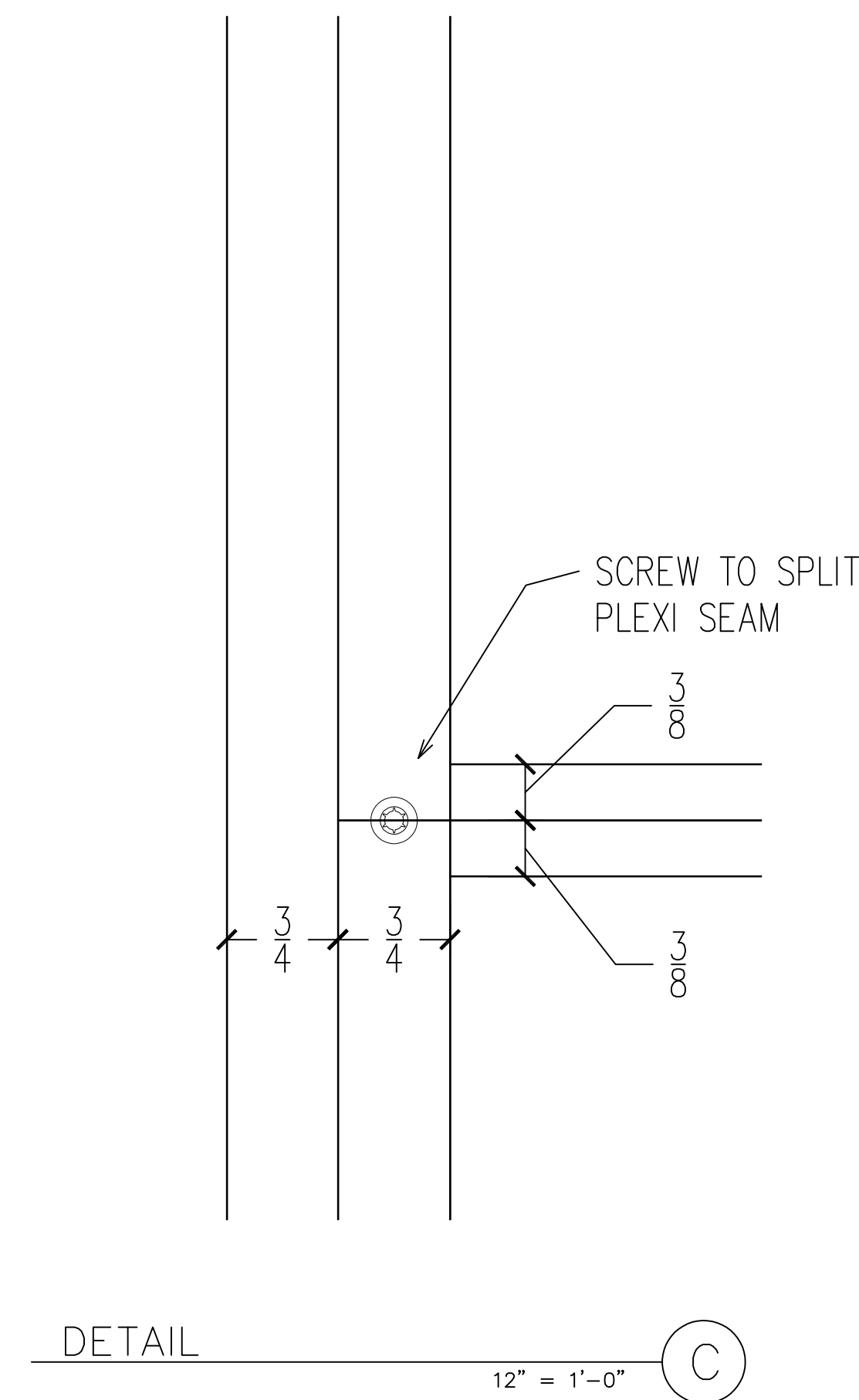
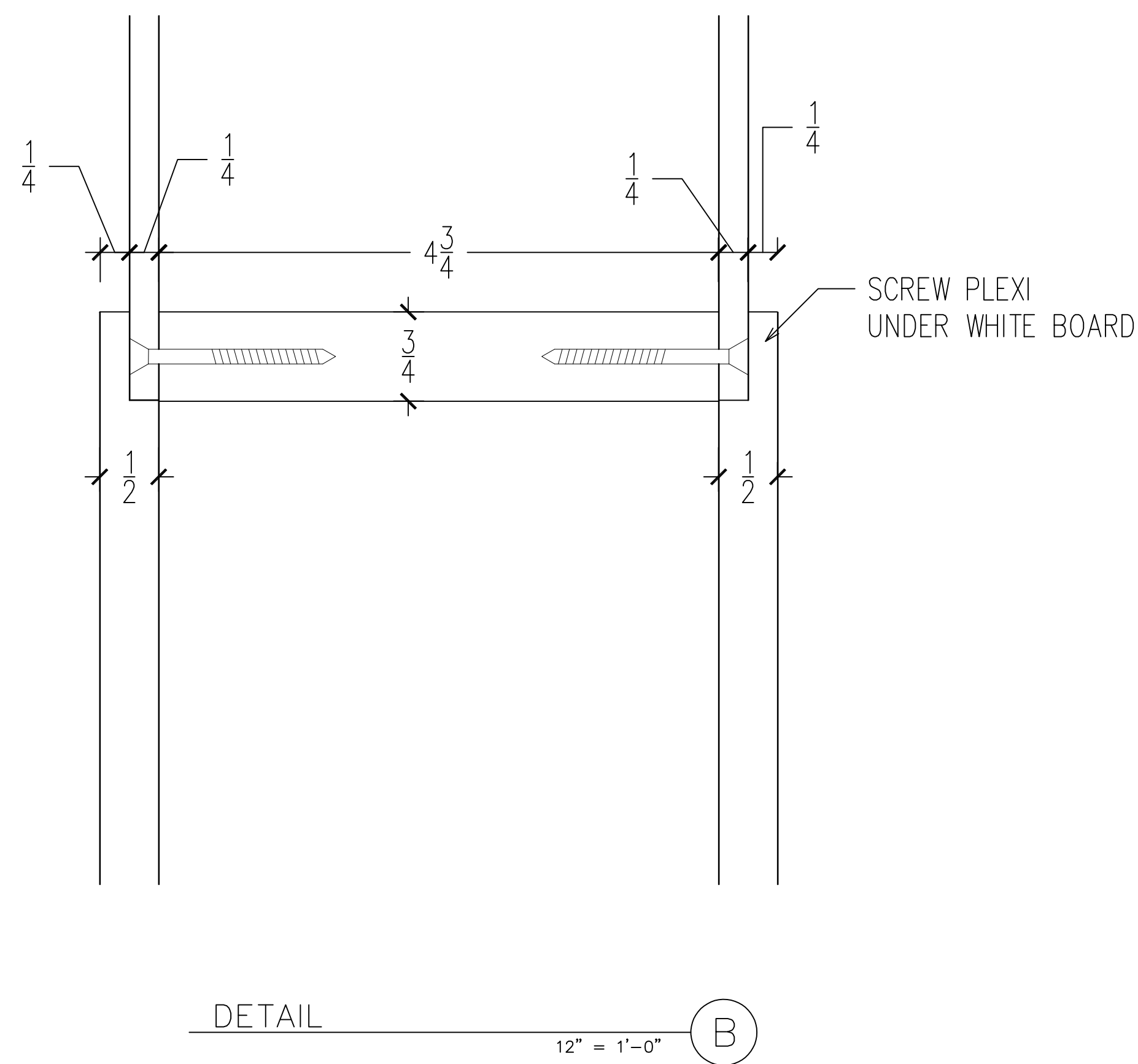
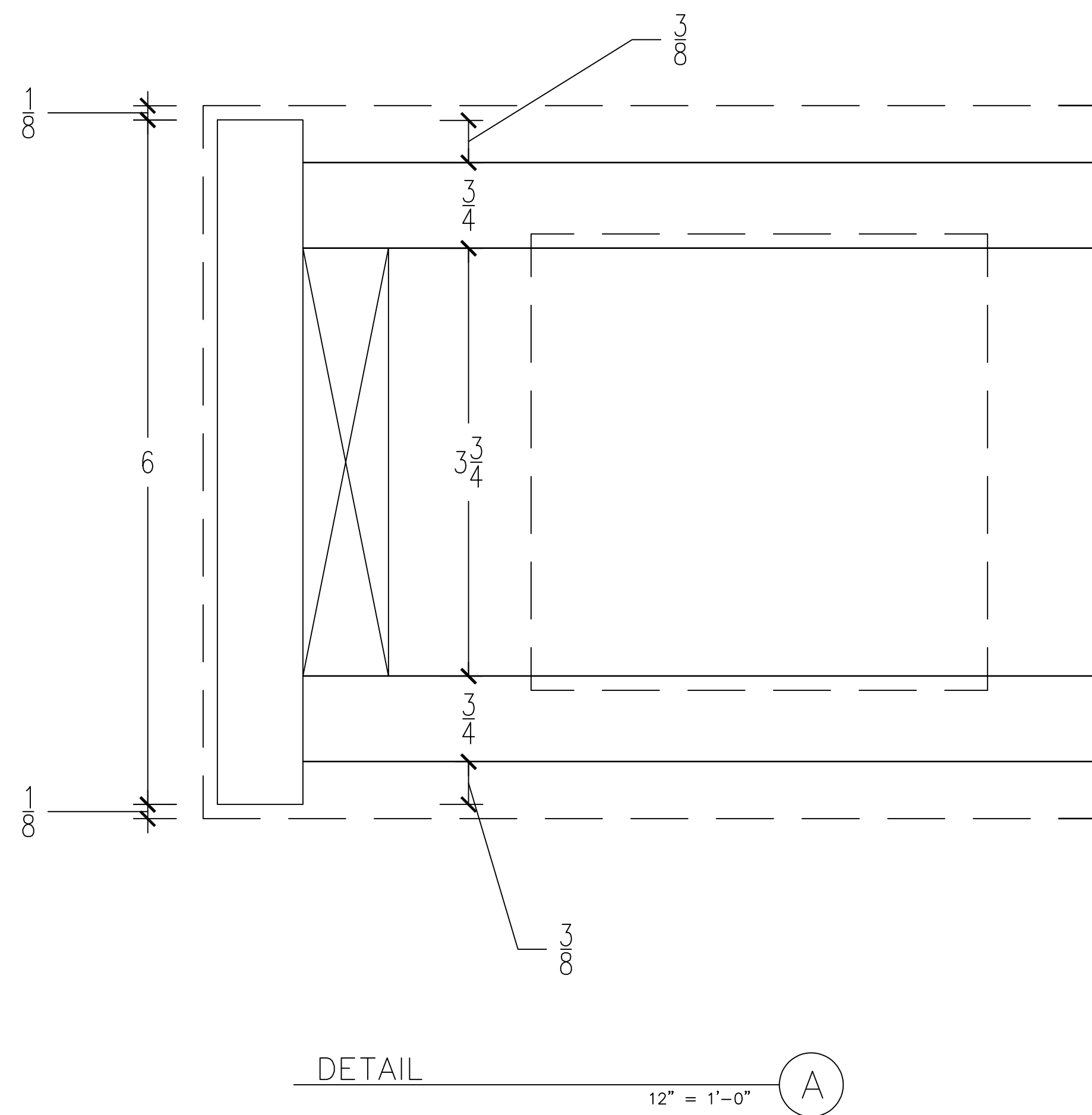
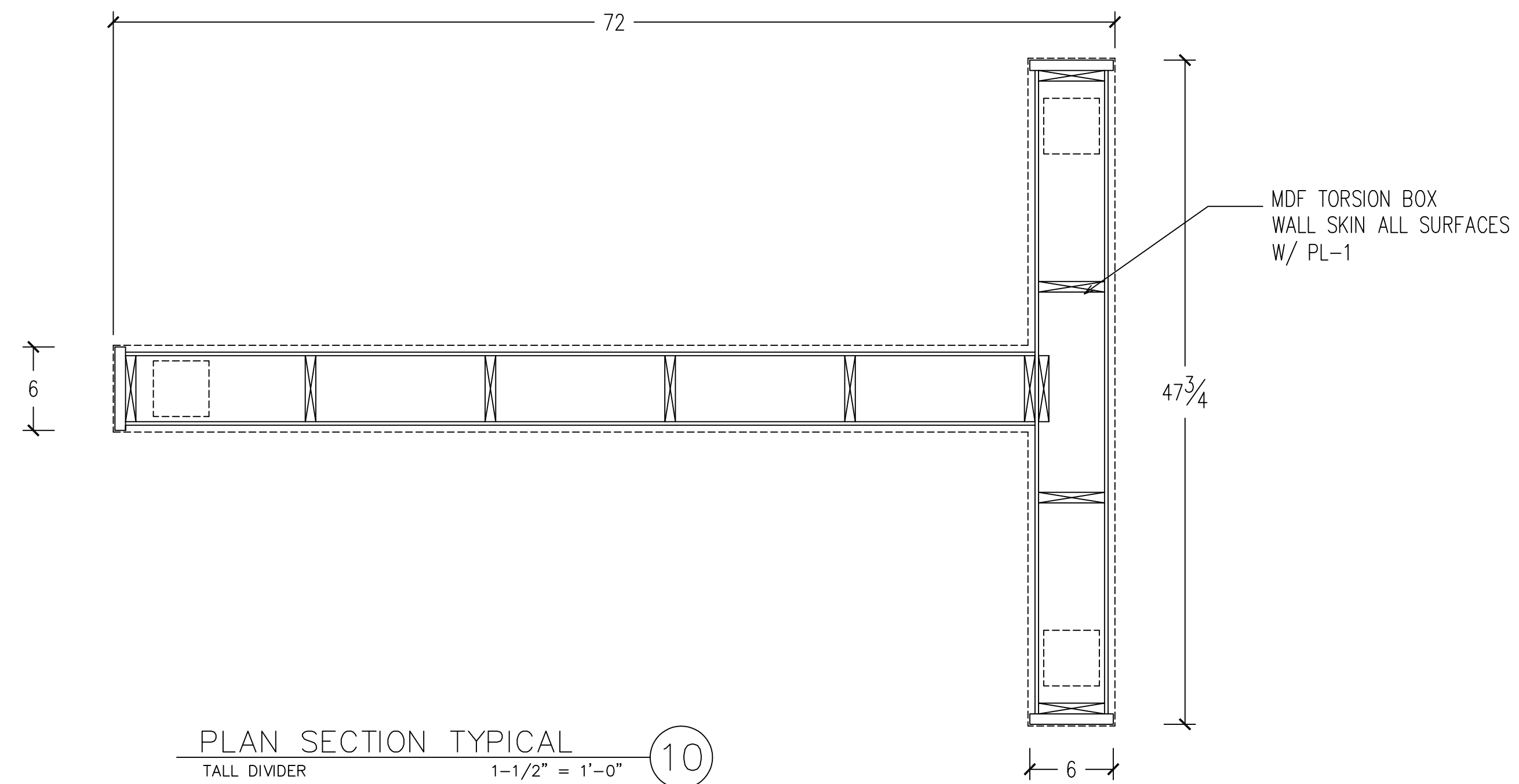
SIDE ELEVATION
TALL DIVIDER
ALL PLEXI 1 1/2" = 1'-0" 8



FRONT ELEVATION
TALL DIVIDER
ALL PLEXI 1 1/2" = 1'-0" 7

SECTION
TALL DIVIDER
ALL PLEXI 1 1/2" = 1'-0" 9

C
1.04



MATERIAL & HARDWARE SCHEDULE

WD-1	MAPLE HWD.	CLEAR LACQUER	
PL-1	DRY ERASE	FORMICA	20459-80

REVISION LOG	
NAME	DATE

RALLY

PROJECT	RM. DIVIDER	SHEET	1.04
DATE	9/23		
DRAWN BY	TR		